

**LEGEND**

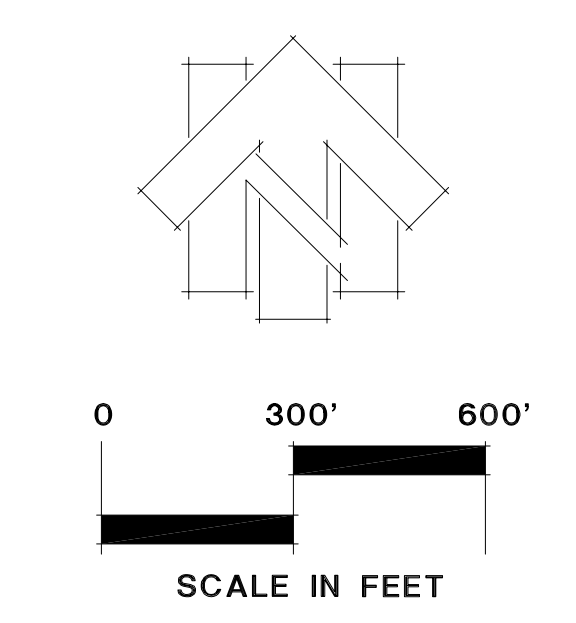
- - - 100-Year Floodplain (UNET Model)
- - - 100-Year Floodplain (FEMA)
- Combined Flood Area
- Limit of combined flood plain area
- Floodplain after Channel Construction
- Structure Removed from Floodplain

**SOURCES**

1. The 100-year flood plain (UNET Model) is based on the Sacramento County Department of Public Works, Water Resources Division, "Elder and Gerber Creeks Technical Appendix: UNET Analysis," dated January 1997.
2. The 100-year flood plain (FEMA) is based on the FIRM Panel No. 060262 0330 C.

**Area Summary**

1. Combined Flood Plain Area = 810 acres ±
2. Flood Plain Area after Channel construction = 113 acres±
3. Number of structures removed from flood plain = 302



Effective Nov. 8, 2011

**MACKAY & SOMPS**  
 CIVIL ENGINEERS, INC.  
 SACRAMENTO, CALIFORNIA  
 Job Number: 7536-10  
 (916) 361-3469  
 916-361-3469  
 916-361-3469  
 916-361-3469

**NORTH VINEYARD STATION**  
**Exist. Floodplain Overlay**  
 COUNTY OF SACRAMENTO March 30, 2004

**DONN C REINERS INC**  
 (916) 361-3469  
 916-361-3469  
 916-361-3469  
 916-361-3469  
 SPECIALISTS IN SITE PLANNING

4-07-2009 10:52:17 R:\Projects\GIS\2003-Preferred-Drainage-Plan-Floodplain-Overlay-Fig-1-Att-02.dwg  
 User: jay.s. [unclear]